

KUSAM-MECO[®]

An ISO 9001:2008 Company

**600A AC TRUE RMS DIGITAL CLAMP METER WITH
VFD, EF-DETECTION, AMPTIP FUNCTION FOR LOW CURRENT
MEASUREMENT & 3 PHASE ROTATION CHECK FUNCTION &
3 PHASE SEQUENCE INDICATION****MODEL KM 076****25 Functions 23 Ranges****NEW****SPECIAL FEATURES :**

- AmpTip™ low-current range calibrated at Jaw-tip for slim-conditions for accurate readings
- MAX/MIN/AVG Recording mode (Auto ranging)
- VFD-V & Hz for fundamental V/Hz of most Variable-Frequency-Drives
- Display Hold & Non-Contact EF-Detection (NCV)
- Back-lighted easy-to-read LCD display
- Fast 80ms Peak-RMS mode to capture in-rush currents
- Auto-ranging Relative mode with DC-Zero mode & 5ms Crest (Instantaneous Peak-Hold) mode
- 3-Phase Rotation-R for MAINS supply (Probe contact)
- 3-Phase Rotation-M (Hi-sensitivity mode) for Motors (Probe-contact)

GENERAL SPECIFICATIONS :

- * Sensing : AC; True RMS
- * Jaws Opening size & conductor diameter : 30mm Max.
- * Display : 3-5/6 digits 6000 counts
- * Update Rate : 5 per second nominal
- * Polarity : Automatic
- * Operating Temperature : 0°C to 40°C
- * Relative Humidity : Maximum relative humidity 80% for temperature up to 31°C decreasing linearly to 50% relative humidity at 40°C
- * Altitude : Operating below 2000m
- * Storage Temperature : -20°C ~ 60°C, <80% R.H. (with battery removed)
- * Temperature Coefficient : Nominal 0.15 x (specified accuracy) / °C @ (0°C — 18°C or 28°C — 40°C), or otherwise specified
- * Power Supply : Standard 1.5V AAA Size Battery X 2
- * Power Consumption : typical 4.3mA
- * Low Battery : Below approx. 2.85V for Capacitance & Hz
Below approx. 2.5V for other functions
- * APO timing : Idle for 32 minutes
- * APO Consumption : typical 5µA
- * Dimension : 217(L) x 76(W) x 37(H)mm
- * Weight : approx 186 gms.

SAFETY :

- Safety : Double insulation per UL/IEC/EN61010-1 Ed. 3, IEC/EN61010-2-033 Ed. 1, CAN/CSA C22.2 No. 61010-1 Ed. 3, IEC/EN61010-2-032 Ed. 3 & IEC/EN61010-031 Ed. 1.1
- Measurement Category : CAT III 600V AND CAT IV 300V AC & DC
- E.M.C. : Meets EN61326-1 : 2006 (EN55022, EN61000-3-2, EN61000-3-3, EN61000-4-2, EN61000-4-3, EN61000-4-4, EN61000-4-5, EN61000-4-6, EN61000-4-8, EN61000-4-11) :
DCA and DC+ACA Functions, in an RF field of 1V/m :
Total Accuracy = Specified Accuracy + 20 digits at around 405MHz
DCµA and Ohm Functions, in an RF field of 1V/m : Total Accuracy = Specified Accuracy + 25 digits
Other Functions, in an RF field of 3V/m : Total Accuracy = Specified Accuracy + 20 digits
- Overload Protection :
Current & Hz functions via jaws : 600ADC/AAC rms at <400Hz
Voltage & 3-Phase Rotation functions via terminals : 660VDC/ 920VAC rms
Other functions via terminals : 600VDC/ VAC rms
- Pollution Degree : 2
- Transient Protection : 6.0kV (1.2/50µs surge)
- Rugged Fire retarded casing.
- LVD EN61010-2-032/EN61010-2-032/EN61010-2-033 to CAT III 600V & CAT IV 300V

ACCESSORIES :

Test leads set, Users Manual, Soft carrying pouch, Bkp60 banana plug K-type thermocouple, Alligator Clip set, BKB32 banana plug to type-K socket plug adaptor (for optional purchase)



Preliminary Data

All Specifications are subject to change without prior notice

KUSAM-MECO[®]
An ISO 9001:2008 Company

G-17, Bharat Industrial Estate, T. J. Road, Sewree (W), Mumbai - 400 015. INDIA.
Sales Direct.: 022-24156638, Tel. : 022-24124540, 24181649, Fax : 022-24149659
Email : kusam_meco@vsnl.net, Website : www.kusamelectrical.com

ELECTRICAL SPECIFICATIONS : KM 076

Accuracy is \pm (% of reading digits + number of digits) or otherwise specified, at 23°C \pm 5°C
Maximum Crest Factor <2.5:1 at full scale & <5:1 at half scale or otherwise specified, and with frequency spectrum not exceeding the specified frequency bandwidth for non-sinusoidal waveforms.

REGULAR CLAMP-ON AC CURRENT

Range	Resolution	Accuracy ¹⁾²⁾
50Hz ~ 100Hz		
60.00 A ³⁾	0.01 A	$\pm(1.8\%rdg + 5dgts)$
600.0 A	0.1 A	
100Hz ~ 400Hz		
60.00 A ³⁾	0.01 A	$\pm(2.0\%rdg + 5dgts)$
600.0 A	0.1 A	

¹⁾ Induced error from adjacent current-carrying conductor : < 0.01A/A

²⁾ Specified accuracy is for measurements made at the jaw center. When the conductor is not positioned at the jaw center, add 2% to specified accuracy for position errors.

³⁾ Add 10d to the specified accuracy @ < 6A & unspecified accuracy @ < 0.2A

DC VOLTAGE

Range	Resolution	Accuracy
600.0 V	0.1 V	$\pm(1.0\%rdg + 5dgts)$

Input Impedance : 10M Ω , 100pF nominal

RESISTANCE

Range	Resolution	Accuracy
600.0 Ω	0.1 Ω	$\pm(1.0\%rdg + 5dgts)$
6.000K Ω	1 Ω	
60.00K Ω	10 Ω	

Open Circuit Voltage : 1.0VDC typical

HZ LINE LEVEL FREQUENCY

Function	Sensitivity ¹⁾ (Sine RMS)	Range
600 V	50 V	5.00Hz~999.9Hz
1000 V		
60 A (AmpTip™)	20 A	50.00Hz~400.0Hz
60 A	20 A	50.00Hz~400.0Hz
600 A		

Accuracy : $\pm(1\%rdg + 5dgts)$

¹⁾ DC-bias, if any, not more than 50% of Sine RMS

CAPACITANCE

Range	Resolution	Accuracy ¹⁾
200.0 μ F	0.1 μ F	$\pm(2.0\%rdg + 4dgts)$
2500 μ F	1 μ F	

¹⁾ Accuracies with film capacitor or better

DIODE TESTER

Range	Resolution	Accuracy ¹⁾
2.000 V	1 mV	$\pm(1.5\%rdg + 5dgts)$

Test Current : 0.3mA typically

Open Circuit Voltage : < 3.5VDC typically

AMPTIP™ CLAMP-ON AC CURRENT

Range	Resolution	Accuracy ¹⁾²⁾³⁾⁴⁾
DC, 50Hz ~ 60Hz		
60.00 A	0.01 A	$\pm(1.5\%rdg + 5dgts)$

¹⁾ Induced error from adjacent current-carrying conductor : < 0.01A/A

²⁾ Specified with Relative Zero mode applied to offset the non-zero residual readings, if any

³⁾ Add 10d to the specified accuracy @ < 4A

⁴⁾ Add 10d to the unspecified accuracy @ < 0.2A

DC μ A

Range	Resolution	Accuracy
200.0 μ A	0.1 μ A	$\pm(1.0\%rdg + 5dgts)$
2000 μ A	1 μ A	

Burden Voltage : 3.5mV/ μ A

AC VOLTAGE (with Digital Low-Pass Filter)

Range	Resolution	Accuracy
50Hz ~ 60Hz		
600.0 V	0.1 V	$\pm(1.0\%rdg + 5dgts)$

Input Impedance : 10M Ω , 100pF nominal

Non-Contact EF-Detection

Typical Voltage	Bar-Graph Indication
20V (tolerance : 10V~36V)	-
55V (tolerance : 23V~83V)	--
110V (tolerance : 59V~165V)	---
220V (tolerance : 124V~330V)	----
440V (tolerance : 250V~1000V)	-----

Indication : Bar-graph segments & audible beep tones proportional to the field strength
Detection Frequency : 50/60Hz

Detection Antenna : Inside the top side of the stationary jaw

Probe-Contact EF-Detection : For more precise indication of live wires, such as distinguishing between live and ground connections, use one single probe to test via terminal COM for direct contact EF-Detection with best sensitivity.

TEMPERATURE

Range	Accuracy
-40.0°C ~ 99.9°C	1.0%~0.8°C
100°C ~ 400°C	1.0%~1°C
-40.0°F ~ 211.8°F	1.0%~1.5°F
212°F ~ 752°F	1.0%~2°F

K-type thermocouple range & accuracy not included

CREST (PEAK-HOLD)

Accuracy	Add 250 digits to specified accuracy for changes > 5ms

PEAK-RMS (ACV & ACA)

Response	80ms to > 90%

AUDIBLE CONTINUITY TESTER

Audible Threshold	Between 10 Ω and 250 Ω
Response Time	32ms approx.



An ISO 9001:2008 Company

USE TRUE RMS WHEN MEASURING AC WAVEFORMS

The waveforms on today's AC power lines are anything but clean. Electronic equipment such as office computers, with their switching power supplies, produce harmonics that distort power-line waveforms. These distortions make measuring AC voltage inaccurate when you use an averaging DMM.

Average voltage measurements work fine when the signal you're measuring is a pure sine wave, but errors mount as the waveform distorts. By using true RMS measurements, however, you can measure the equivalent heating effect that a voltage produces, including the heating effects of harmonics. Table 1 shows the difference between measurements taken on averaging DMMs & those taken on true RMS DMMs. In each case, the measured signal's peak-to-peak value is 2V. Therefore, the peak value is 1V.

For a 1-V peak sine wave, the average & RMS values are both 0.707V. But when the input signal is no longer a sine wave, differences between the RMS values & the average reading values occur. Those errors are most prominent when you are measuring square waves & pulse waveforms, which are rich in harmonics.

Table 1. Average versus true RMS comparison of typical waveforms.

Waveform	Actual Pk-Pk	True RMS Reading	Average Reading	Reading Error
Sine Wave	2.000	0.707	0.707	0%
Triangle Wave	2.000	0.577	0.555	-3.8%
Square Wave	2.000	1.000	1.111	+11.1%
Pulse (25% duty Cycle)	2.000	0.433	0.416	-3.8%
Pulse (12.5% duty Cycle)	2.000	0.331	0.243	-26.5%
Pulse (6.25% duty Cycle)	2.000	0.242	0.130	-46.2%

One limitation to making true RMS measurements is crest factor, and you should consider crest factor when making AC measurements. Crest factor is the ratio of a waveform's peak ("crest") voltage to its RMS voltage. Table 2 shows the crest factors for ideal waveforms.

Table 2. Crest factors of typical waveforms.

Waveform	Crest Factor
DC	1.000
Square Wave	1.000
Sine Wave	1.414
Triangle Wave	1.732
Pulse (25% duty Cycle)	1.732
Pulse (12.5% duty Cycle)	2.646
Pulse (6.25% duty Cycle)	3.873

A DMM's specifications should tell you the maximum crest factor that the meter can handle while maintaining its measurement accuracy. True RMS meters can handle higher crest factors when a waveform's RMS voltage is in the middle of the meter's range setting. Typically, a DMM may tolerate a crest factor of 3 near the top of its scale but it might handle a crest factor of 5 that's in the middle of the range. Therefore, if you're measuring waveforms with high crest factors (greater than 3), you should adjust the DMM so the measured voltage is closest to the center of the measurement range.

Another limitation of true RMS is speed. If you're measuring relatively clean sine waves, then you can save time & money by using an averaging DMM. True RMS meters cost more than averaging meters and can take longer to produce measurements, especially when measuring millivolt-level AC signals. At those low levels, true RMS meters can take several seconds to stabilize a reading. Averaging meters won't leave you waiting.

LIST OF PRODUCTS

- * Digital Multimeter
- * AC Clamp Adaptor
- * Thermo Anemometer
- * Distance Meter
- * Network Cable Tester
- * Earth Resistance Tester
- * DC Power Supplies
- * Calibrators
- * Frequency Counter
- * Phasing Sticks
- * Waterproof Pen Testers
- * EMF Detector
- * Wood, Paper & Grain Moisture Meter
- * Transistorised Electronic Analog & Digital Insulation Resistance Testers(upto 10 KV)
- * Digital Sound Level Meter & Sound Level Calibrator
- * Digital contact & Non-contact Type Tachometer
- * Digital Non-contact (infrared) Thermometer
- * Maximum Demand Controller/Digital Power Meter
- * Digital Hand Held Temperature Indicators
- * Digital AC & AC/DC Clampmeter
- * AC/DC Current Adaptor
- * Thermo Hygrometer
- * Digital Lux Meter
- * Power Factor Regulator
- * Digital Panel Meters
- * High Voltage Detector
- * Gas Analysers
- * Function Generator
- * Battery Tester
- * Solar Power Meter



G 17, Bharat Industrial Estate, T. J. Road,
Sewree (W), Mumbai - 400 015. INDIA.

Sales Direct : (022) 24156638

Tel. : (022) 24124540, 24181649. **Fax :** (022) 24149659

Email : kusam_meco@vsnl.net

Website : www.kusamelectrical.com
www.kusam-meco.co.in



AN ISO 9001:2008 COMPANY

**600A AC TRUE RMS
DIGITAL CLAMP METER
WITH VFD, EF-DETECTION,
AmpTip™ FUNCTION &
3 PHASE ROTATION
CHECK FUNCTION &
3 PHASE SEQUENCE
INDICATION**

MODEL - KM 076

OPERATION MANUAL

KUSAM-MECO®

TRMS DIGITAL CLAMPMETER MODEL - KM 076



KUSAM-MECO®

I. SAFETY :

This manual contains information and warnings that must be followed for operating the instrument safely and maintaining the instrument in a safe operating condition. If the instrument is used in manner not specified by the manufacturer, the protection provided by the instrument may be impaired.

The meter protection rating, against the users, is double insulation per UL/IEC/EN61010-1 Ed. 3, IEC/EN61010-2-033 Ed. 1, CAN/CSA C22.2 No. 61010-1 Ed. 3, IEC/EN61010-2-032 Ed. 2 & IEC/EN61010-031 Ed. 1.1 :

Measurement Category III 600V & Category IV 300V AC & DC.

Per IEC610-1 (2010) OVERVOLTAGE CATEGORY

OVERVOLTAGE CATEGORY II (CAT II) is for equipment intended to be supplied from the building wiring. It applies both to plug-connected equipment and to PERMANENTLY CONNECTED EQUIPMENT.

OVERVOLTAGE CATEGORY III (CAT III) is for equipment intended to form part of a building wiring installation. Such equipment includes socket outlets, fuse panels, and some MAINS installation control equipment.

OVERVOLTAGE CATEGORY IV (CAT IV) is for equipment installed at or near the origin of the electrical supply to a building, between the building entrance and the main distribution board. Such equipment may include electricity tariff meters and primary over current protection devices.

Terms in this manual :

WARNING Identifies conditions and actions that could result in serious injury or even death to the user.

CAUTION Identifies conditions and actions that could cause damage or malfunction in the instrument.

WARNING :

To reduce the risk of fire or electric shock, do not expose this product to rain or moisture. The meter is intended only for indoor use.

To avoid electrical shock hazard, observe the proper safety precautions when working with voltages above 60 VDC or 30 VAC rms. These voltage levels pose a potential shock hazard to the user. Before and after hazardous voltage measurements test the voltage function on a known source such as line voltage to determine proper meter functioning.









Keep your hands/fingers behind the hand/finger barriers (of the meter and the test leads) that indicate the limits of safe access of the hand-held part during measurement. Inspect test leads, connectors and probes for damaged insulation or exposed metal before using the instrument. If any defects are found, replace them immediately. Only use the test lead provided with the equipment or UL Listed Probe Assembly rated CAT III 600V or better.

This Clamp-on meter is designed to apply around or remove from uninsulated hazardous live conductors. But still, individual protective equipment must be used if hazardous live parts in the installation where measurement is to be carried out could be accessible.

CAUTION :

Disconnect the test leads from the test points before changing meter functions.

II. INTERNATIONAL ELECTRICAL SYMBOLS :

	Caution ! Refer to the explanation in this Manual.
	Caution ! Risk of electric shock.
	Earth (Ground)
	Double Insulation or Reinforced insulation
	Fuse
	AC--Alternating Current
	DC--Direct Current
	Application around and removal from hazardous live conductors is permitted.

III. CENELEC Directives :

The instruments conform to CENELEC Low-voltage directive 2006/95/EC and Electromagnetic compatibility directive 2004/108/EC.

IV. SPECIAL FEATURES :

1. AmpTip™ low-current range
2. MAX/MIN/AVG Recording mode (Auto ranging)
3. Display Hold
4. Non-Contact EF-Detection (NCV)
5. Back-lighted easy-to-read LCD display
6. Fast 80ms Peak-RMS mode to capture in-rush currents
7. Relative-Zero mode
8. 3-Phase Rotation-R for MAINS supply (Probe contact)
9. 3-Phase Rotation-M (Hi-sensitivity mode) for Motors (Probe-contact)

V. SPECIFICATIONS :**GENERAL SPECIFICATIONS :**

Display	: 3-5/6 digits 6000 counts
Polarity	: Automatic
Jaw opening & Conductor diameter	: 30mm max
Update Rate	: 5 per second nominal
Operating Temperature	: 0°C to 40°C
Relative Humidity	: Maximum relative humidity 80% for temperature up to 31°C decreasing linearly to 50% relative humidity at 40°C
Pollution degree	: 2
Storage Temperature	: -20°C to 60°C, < 80% R.H. (with battery removed)
Altitude	: Operating below 2000m
Temperature Coefficient	: Nominal 0.15 × (specified accuracy)/°C @ (0°C—18°C or 28°C—40°C), or otherwise specified
Sensing	: True RMS
Low Battery	: Below approx. 2.85V for Capacitance & Hz, Below approx. 2.5V for other functions
APO Timing	: Idle for 32 minutes
Power Consumption	: Approx. 4.3mA for current functions
APO Consumption	: 5 A typical
Power Supply	: 1.5V AAA Size battery X 2
Dimension	: 217(L) x 76(W) x 37(H)mm
Weight	: Approx. 186gm
Accessories	: Test leads set, User Manual, Soft carrying pouch, Bkp60 banana plug K-type thermocouple, Alligator Clip set.
Optional Accessories	: BKB32 banana plug to type-K socket plug adaptor.

SAFETY :

Safety : Double insulation per UL/IEC/EN61010 -1 Ed. 3, IEC/EN61010-2-033 Ed. 1, CAN/CSA C22.2 No. 61010-1 Ed. 3, IEC/EN61010-2-032 Ed. 2 & IEC/EN61010-031 Ed. 1.1

Measurement Category : CAT III 600V & CAT IV 300V AC & DC

Transient Protection : 6.0kV (1.2/50 s surge)

Overload Protection :

Current & Hz functions via jaws : 600A DC/AC rms at < 400Hz

Voltage & 3-Phase Rotation functions via terminals : 660VDC/ 920VAC rms

Other functions via terminals : 600VDC/ VAC rms

E.M.C. :

Meets EN61326-1 : 2006 (EN55022, EN61000-3-2, EN61000-3-3, EN61000-4-2, EN61000-4-3, EN61000-4-4, EN61000-4-5, EN61000-4-6, EN61000-4-8, EN61000-4-11) :

DCA and DC+ACA Functions, in an RF field of 1V/m :

Total Accuracy = Specified Accuracy + 20 digits @ 405MHz

DC A and Ohm Functions, in an RF field of 1V/m :

Total Accuracy = Specified Accuracy + 25 digits

Other Functions, in an RF field of 3V/m :

Total Accuracy = Specified Accuracy + 20 digits

VFD-V & Hz for fundamental V/Hz of most Variable-Frequency-Drives.

Rugged fire retarded casing with battery access door.

ELECTRICAL SPECIFICATIONS :

Accuracy is ± (% of reading digits + number of digits) or otherwise specified @ 23°C ± 5°C. Maximum Crest Factor < 2.5:1 at full scale & < 5:1 at half scale or otherwise specified, and with frequency spectrum not exceeding the specified frequency bandwidth for non-sinusoidal waveforms.

Regular Clamp-on AC Current :

Range	Resolution	Accuracy ^{1) 2)}
50Hz ~ 100Hz		
60.00 A ³⁾	10 mA	±(1.8%rdg + 5dgts)
600.0 A	100 mA	
100Hz ~ 400Hz		
60.00 A ³⁾	10 mA	±(2.0%rdg + 5dgts)
600.0 A	100 mA	

- ¹⁾ Induced error from adjacent current-carrying conductor : < 0.01A/A
- ²⁾ Specified accuracy is for measurements made at the jaw center. When the conductor is not positioned at the jaw center, add 2% to specified accuracy for position errors.
- ³⁾ Add 10d to the specified accuracy @ < 6A & unspecified accuracy @ < 0.2A

AmpTip™ Clamp-on AC Current :

Range	Resolution	Accuracy ^{1) 2) 3) 4)}
50Hz ~ 60Hz		
60.00 A	10 mA	±(1.5%rdg + 5dgts)

- ¹⁾ Induced error from adjacent current-carrying conductor : < 0.01A/A
- ²⁾ Specified with Relative Zero mode applied to offset the non-zero residual readings, if any
- ³⁾ Add 10d to the specified accuracy @ < 4A
- ⁴⁾ Unspecified accuracy @ < 0.2A

DC A :

Range	Resolution	Accuracy
200.0 A	0.1 A	±(1.0%rdg + 5dgts)
2000 A	1 A	

Burden Voltage : 3.5mV/mA

AC Voltage (with Digital Low-pass Filter) :

Range	Resolution	Accuracy
50Hz ~ 60Hz		
600.0 V	0.1 V	±(1.0%rdg + 5dgts)

Input Impedance : 10M , 100pF nominal

DC Voltage :

Range	Resolution	Accuracy
600.0 V	0.1 V	±(1.0%rdg + 5dgts)

Input Impedance : 10M , 100pF nominal

Resistance :

Range	Resolution	Accuracy
600.0	0.1	±(1.0%rdg + 5dgts)
6.000 K	1	
60.00 K	10	

Open Circuit Voltage : 1.0VDC typical

Capacitance :

Range	Resolution	Accuracy ¹⁾
200.0 F	0.1 F	±(2.0%rdg + 4dgts)
2500 F	1 F	

¹⁾ Accuracies with film capacitor or better.

Hz Line Level Frequency :

Function	Sensitivity ¹⁾ (Sine RMS)	Range
600 V	50 V	5.00Hz~999.9Hz
60 A (AmpTip™)	20 A	50.00Hz~400.0Hz
60 A		50.00Hz~400.0Hz
600 A		

Accuracy : ±(1%rdg + 5dgts)

¹⁾ DC-bias, if any, not more than 50% of Sine RMS.

Temperature :

Range	Accuracy
-40.0°C~99.9°C	±(1.0%+0.8°C)
100.0°C~400°C	±(1.0%+1°C)
-40.0°F~211.8°F	±(1.0%+1.5°F)
212°F~752°F	±(1.0%+2°F)

K-type thermocouple range & accuracy not included.

Non-Contact EF-Detection :

Typical Voltage	Bar-Graph Indication
20V (tolerance : 10V~36V)	-
55V (tolerance : 23V~83V)	--
110V (tolerance : 59V~165V)	---
220V (tolerance : 124V~330V)	----
440V (tolerance : 250V~1000V)	-----

Indication : Bar-graph segments & audible beep tones proportional to the field strength.

Detection Frequency : 50/60Hz.

Detection Antenna : Inside the top side of the stationary jaw.

Probe-Contact EF-Detection : For more precise indication of live wires, such as distinguishing between live and ground connections, use one single probe to test via terminal COM for direct contact EF-Detection with best sensitivity.

PEAK-rms (ACV & ACA) :

Response	80ms to >90%
-----------------	--------------

Audible Continuity Tester :

Audible Threshold	Between 10 and 250 .
Response time	32ms approx.

Diode Tester :

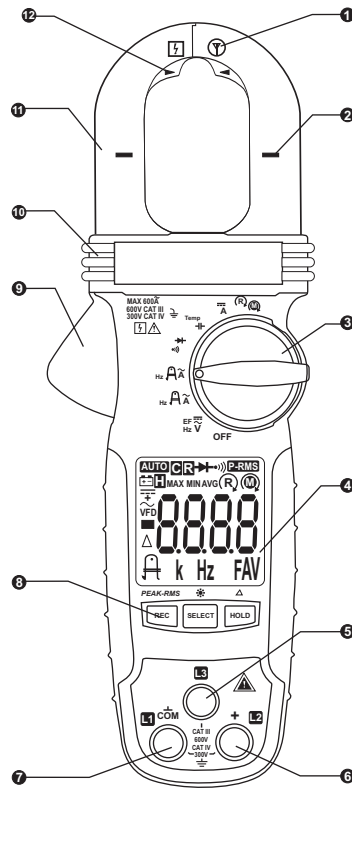
Range	Resolution	Accuracy ¹⁾
2.000 V	1 mV	±(1.5%rdg + 5dgts)

Test Current : 0.3mA typically

Open Circuit Voltage : < 3.5VDC typically

VI. PRODUCT DESCRIPTION :

This manual uses only representative model(s) for illustrations. Please refer specification details for function availability to this model.

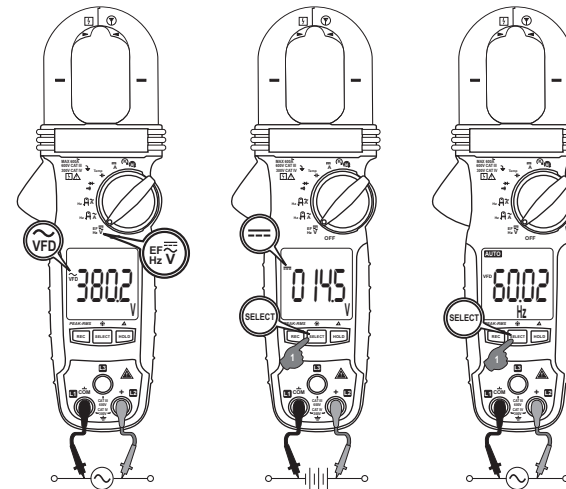
- 
1. Antenna area for Non-Contact EF-Detection
 2. Jaw center indicator, at where best current accuracy is specified.
 3. Rotary Selector to turn the power ON/OFF and Select a function.
 4. 3-5/6 digits 6000 counts numeric LCD display.
 5. Additional input Jack for Phase Rotation function only.
 6. Input Jack for all functions EXCEPT non-invasive DCA, DC+ACA, or ACA current functions.
 7. Common (Ground reference) Input Jack for all functions EXCEPT non-invasive DCA, DC+ACA, or ACA current functions.
 8. Push-buttons for special functions & features.
 9. Jaw trigger for opening the clamp jaw.
 10. Hand/Finger Barrier to indicate the limits of safe access of the meter.
 11. Clamp Jaw for DC or AC current magnetic field pick up.
 12. Additional center indicator for AmpTip™ Low-current function, at where best AmpTip™ current accuracy is specified.

VII. OPERATION :

WARNING : Before and after hazardous voltage measurements, test the voltage function on a known source such as line voltage to determine proper meter functioning.

ACV, DCV, Line-level Hz & EF (NCV), functions :

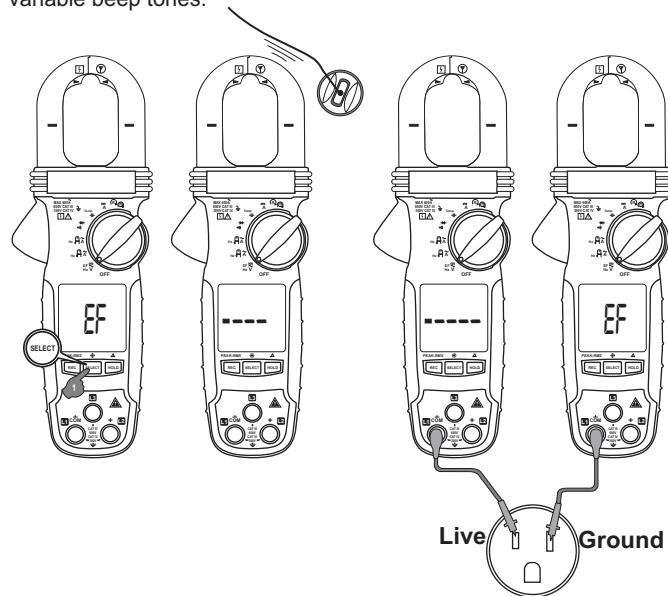
Inputs, other than that of EF as described below, are made through the test lead terminals **COM/+**. Defaults at **ACV*** Function. Press **SELECT** button momentarily to select **DCV, Line-level Hz** or **EF**** (NCV) functions in sequence.



Note : ACV function is equipped with digital low-pass filter, and is capable of dealing with VFD (Variable Frequency Drive) signals. It also improves ACV reading stability in noisy electrical environments.

Electric Field EF-Detection

The meter displays “EF” when it is ready. Signal strength is indicated as a series of bar-graph segments on the display together with variable beep tones.



❖ **Non-Contact EF-Detection** : An antenna is located along the top-right end of the stationary clamp jaw, which detects electric field that surround energized conductors. It is ideal for tracing live wiring connections, locating wiring breakage and to distinguish between live or earth connections.

❖ **Probe-Contact EF-Detection** : For more precise indication of live wires, such as distinguishing between Live and Ground connections, use one single probe to test via terminal **COM** for direct contact EF-Detection with best sensitivity.

CAUTION & WARNING for Non-Invasive (Clamp-on) Current Measurements :

CAUTION :

(Application and Removal of the Clamp-on Jaws) For non-invasive current measurements, press the jaw trigger and clamp the jaws around conductor(s) of only one single pole of a circuit for load current measurement. Make sure the jaws are completely closed, or else it will introduce measurement errors. Enclosing conductor(s) of more than one pole of a circuit may result in differential current (like identifying leakage current) measurement. Align the conductor(s) to the Jaws center indicators (Regular or AmpTip™ indicators where applicable) as much as possible to get the best measuring accuracy. For removal, press the jaw trigger and remove the jaws from the conductor(s).

Adjacent current-carrying devices such as transformers, motors and conductor wires may affect measurement accuracy. Keep the jaws away from them as much as possible to minimize influence.

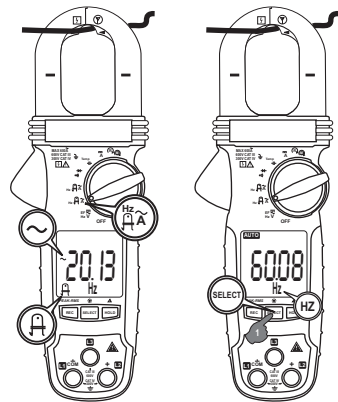
WARNING :

Do not use the meter to measure currents above the rated frequency (400Hz). Circulating currents may cause the magnetic circuits of the Jaws reach a hazardous temperature.

Non-Invasive AmpTip™ Low-Current Functions :

ACA & Hz :

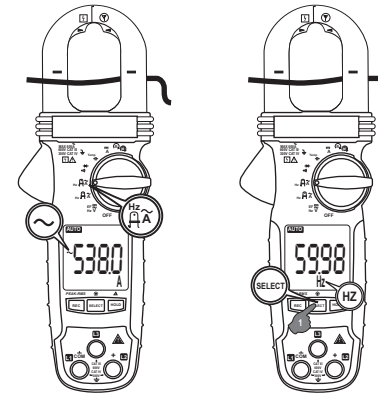
Input is made via the clamp jaws with best accuracy specified near the jaw tip area for small conductors low-current measurements. Defaults at **ACA** function. Press **SELECT** button momentarily to select the subject functions in sequence.



Non-Invasive Regular Current Functions :

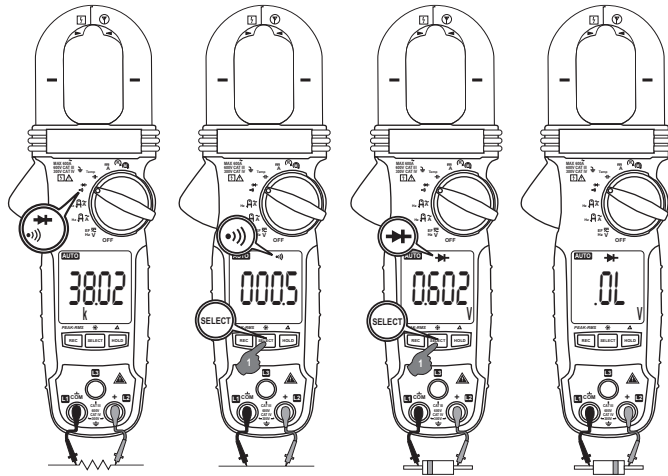
ACA & Hz :

Input is made via the clamp jaws with best accuracy specified at the jaw center for regular current measurements. Press **SELECT** button momentarily to select the subject functions in sequence.



Resistance, Continuity & Diode functions :

Inputs are made through the test lead terminals **COM/+**. Defaults at **Resistance**. Press **SELECT** button momentarily to select the subject functions in sequence.



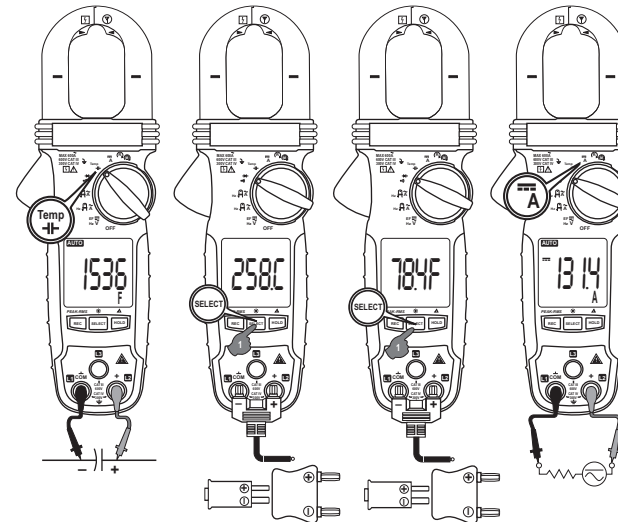
Note : When using diode test function, normal forward voltage drop (forward biased) for a good silicon diode is between 0.400V to 0.900V. A reading higher than that indicates a leaky diode (defective). A zero reading indicates a shorted diode (defective). An OL indicates an open diode (defective). Reverse the test leads connections (reverse biased) across the diode. The digital display shows OL if the diode is good. Any other readings indicate the diode is resistive or shorted (defective).

CAUTION :

Using Resistance, Continuity or Diode function in a live circuit will produce false results and may damage the meter. In many cases the suspected component(s) must be disconnected from the circuit to obtain an accurate measurement reading.

Capacitance, Temperature °C & °F functions :

Inputs are made through the test lead terminals **COM/+**. Defaults at **Capacitance**. Press **SELECT** button momentarily to select °C (Celsius) or °F (Fahrenheit) in sequence.



Note : Be sure to insert the banana plug type-K temperature bead probe Bkp60 with correct + – polarities. You can also use a plug adapter Bkb32 (Optional purchase) with banana pins to type-K socket to adapt other type-K standard mini plug temperature probes.

CAUTION :

1. Using Capacitance function in a live circuit will produce false results and may damage the meter. In many cases the suspected component(s) must be disconnected from the circuit to obtain an accurate measurement reading.
2. When using Capacitance function, discharge capacitor(s) before making any measurements. Large value capacitors should be discharged through an appropriate resistance load.

DC A Current function :

Inputs are made through the test lead terminals **COM/+**.

Application Notes :

The **DC A** function designed especially for HVAC/R flame sensor applications. The 0.1 A resolution is useful for identifying the minute current changes in flame detector applications. Flame signal current check should indicate steady flame signal of at least 2 A for a rectification type, or 1.5 A for an ultraviolet type (8 A for self checking systems). If a flame signal current with inadequate strength or fluctuation beyond 10%, check the following to avoid the risk of unwanted flame relay dropout :

For gas or oil flames (Minipeeper) :

- ❖ Low supply voltage
- ❖ Detector location
- ❖ Defective detector wiring
- ❖ Dirty viewing windows
- ❖ Faulty Minipeeper

For oil flames (Photocell) :

- ❖ Detector location & wiring
- ❖ Smoky flame or poorly adjusted air shutter
- ❖ Faulty Photocell
- ❖ Temperature over 165°F (74°C) at photocell

For gas flames (Flame Rod) :

- ❖ Ignition interference (A flame signal current difference with the ignition both on and off greater than 0.5 A indicates the presence of ignition interference).
- ❖ Insufficient ground (must be at least 4 times the detector area).
- ❖ Flame lifting off burner head (ground), or not continuously in contact with the flame rod.
- ❖ Temperature in excess of 600°F (316°C) at the flame electrode insulator causing short to ground.

(M) & (R) 3-Phase Rotation function :

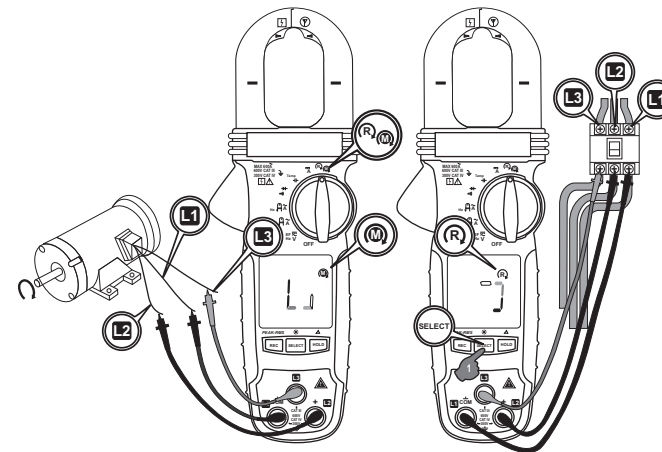
Inputs are made through the test lead terminals **L1/L2/L3**. Phase Rotation directions are indicated as symbolic movements by the LCD segments. Defaults at (M). Press **SELECT** button momentarily toggles between (M) and (R) modes.

(M) : Hi-sensitivity mode, which detects relatively low signal outputs generated from motor spinning, for checking phase connections of Motors.

(R) : Normal-sensitivity mode for identifying phase sequence of MAINS (electricity supply).

CAUTION :

Proper Rotation detection relies on solid signal connection to all three test lead terminals simultaneously. Any single disconnection will lead to detection failure and may produce false indication. To verify signal connection and hence proper meter indication, swap any two connects (between the meter and the test points) to check for indication of reverse movement.



Using the Hi-sensitivity mode (M) for Motors :

Connect to the Motor as illustrated. Be sure the electricity supply is removed. From the perspective of looking down the shaft of the motor, speed-spin it clockwise to generate sufficient signal strength for proper meter detection. If the meter indicates a clockwise movement, the motor leads connected to L1, L2 and L3 of the meter are L1, L2 and L3 (also known as R, S and T), respectively. If the meter indicates a counter-clockwise movement, swap any two connects between the meter and motor. Then retest.

Using the normal mode (R) for MAINS (electricity supply) :

Connect to the MAINS as illustrated. If the meter indicates a clockwise movement, the phases connected to L1, L2 and L3 of the meter are L1, L2 and L3 (also known as R, S and T), respectively. If the meter indicates a counter-clockwise movement, swap any two connects between the meter and phases. Then retest. Connect the above mentioned L1, L2 and L3 of a Motor and that of the MAINS respectively should get a clockwise motor movement.

Using the Complementary Beeper feature :

The Complementary Beeper feature is selected in Power-up option. Press and hold the **REC** button while turning the meter on to enable. If the segments indicate a clockwise movement, the beeper sounds a single long beep per segment cycle. If the segments indicate a counter clockwise movement, the beeper sounds 3 short beeps per segment cycle.

Hold :

Hold feature freezes the display for later view. LCD "H" turns on. Press the **HOLD** button momentarily to toggle the hold feature.

Record mode :

Press **REC** button momentarily to activate MAX/MIN/AVG recording mode. LCD "R" & "MAX MIN AVG" turn on. The meter beeps when new MAX (maximum) or MIN (minimum) reading is updated. AVG (Average) reading is calculated over time. Press the button momentarily to read the MAX, MIN and AVG reading in sequence. Press the button for 1 second or more to exit this mode. Auto-Power-Off is disabled automatically in this mode.

Relative-Zero (Δ) mode :

Relative-Zero allows the user to offset the meter consecutive measurement with the main display displaying reading as the reference value. LCD " Δ " turns on. Press the Δ (**HOLD**) button for one second or more to toggle **Relative-Zero** mode.

80ms PEAK-RMS mode :

Press **PEAK-RMS** button for one second or more to toggle **PEAK-RMS** mode to capture inrush current or voltage RMS values in duration as short as 80ms. LCD **P-RMS** turns on. Auto-Power-Off is disabled automatically in this mode.

Backlighted LCD display :

Press the **SELECT** button for 1 second or more to toggle the LCD backlight. The backlight will also be turned off automatically after 32 seconds to extend battery life.

Intelligent Auto-Power-Off (APO) :

The Auto-Power-Off (APO) mode turn the meter off automatically to extend battery life after approximately 32 minutes of no specified activities, where applicable :

1. Rotary switch or push button operations.
2. Significant measuring readings of above 8.5% of ranges.
3. Non-OL readings for Resistance, Continuity or Diode function.
4. Non-zero readings for Hz function.
5. Significant movement indication as in Phase Rotation functions.

In other words, the meter will intelligently avoid entering the APO mode when it is under normal measurements. To wake up the meter from APO, press the **SELECT** button momentarily and release, or turn the rotary switch OFF and then back on. Always turn the rotary switch to the OFF position when the meter is not in use.

V. MAINTENANCE :**WARNING :**

To avoid electrical shock, disconnect the meter from any circuit, remove the test leads from the input jacks and turn OFF the meter before opening the case. Do not operate with open case.

Trouble Shooting :

If the instrument fails to operate, check batteries and test leads etc., and replace as necessary. Double check operating procedure as described in this manual.

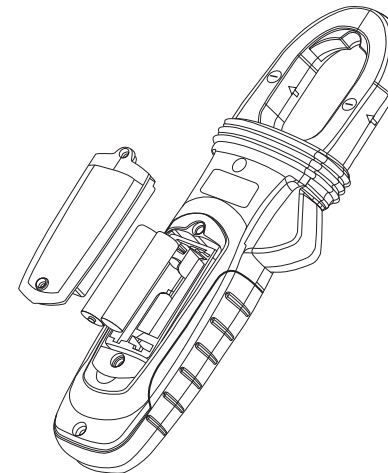
If the instrument voltage-resistance input terminal has subjected to high voltage transient (caused by lightning or switching surge to the system under test) by accident or abnormal conditions of operation, the protective impedance components in series might be blown off (become high impedance) like open fuses to protect the user and the instrument. Most measuring functions through this terminal might then be open circuit. Such components should only be replaced by qualified technician. Refer to the WARRANTY section for obtaining warranty or repairing service.

Cleaning and Storage :

Periodically wipe the case with a damp cloth and mild detergent; do not use abrasives or solvents. If the meter is not to be used for periods of longer than 30 days, remove the batteries and store them separately.

Battery replacement :

The meter uses standard 1.5V AAA Size (IEC R03) battery X 2. Loosen the 2 captive screws from the battery cover case. Lift the battery cover case. Replace the batteries. Replace battery cover case. Re-fasten the screws.



MUMBAI

TEST CERTIFICATE
TRMS DIGITAL CLAMPMETER

This Test Certificate warrants that the product has been inspected and tested in accordance with the published specifications.

The instrument has been calibrated by using equipment which has already been calibrated to standards traceable to national standards.

MODEL NO. **KM 076**

SERIAL NO. _____

DATE: _____

**ISO 9001
REGISTERED**



WARRANTY

Each "KUSAM-MECO" product is warranted to be free from defects in material and workmanship under normal use & service. The warranty period is one year (12 months) and begins from the date of despatch of goods. In case any defect occurs in functioning of the instrument, under proper use, within the warranty period, the same will be rectified by us free of charges, provided the to and fro freight charges are borne by you.

This warranty extends only to the original buyer or end-user customer of a "KUSAM-MECO" authorized dealer.

This warranty does not apply for damaged Ic's, fuses, burnt PCB's, disposable batteries, carrying case, test leads, or to any product which in "KUSAM-MECO's" opinion, has been misused, altered, neglected, contaminated or damaged by accident or abnormal conditions of operation or handling.

"KUSAM-MECO" authorized dealer shall extend this warranty on new and unused products to end-user customers only but have no authority to extend a greater or different warranty on behalf of "KUSAM-MECO". "KUSAM-MECO's" warranty obligation is limited, at option, free of charge repair, or replacement of a defective product which is returned to a "KUSAM-MECO" authorized service center within the warranty period.

THIS WARRANTY IS BUYER'S SOLE AND EXCLUSIVE REMEDY AND IS IN LIEU OF ALL OTHER WARRANTIES, EXPRESS OR IMPLIED, INCLUDING BUT NOT LIMITED TO ANY IMPLIED WARRANTY OF MERCHANTABILITY OR FITNESS FOR A PARTICULAR PURPOSE. "KUSAM-MECO" SHALL NOT BE LIABLE FOR ANY SPECIAL, INDIRECT, INCIDENTAL OR CONSEQUENTIAL DAMAGES OR LOSSES, INCLUDING LOSS OF DATA, ARISING FROM ANY CAUSE WHATSOEVER.

All transaction are subject to Mumbai Jurisdiction.